



# Horizontal Sheers

Expectations Guide

## What to expect

- Horizontal Sheers are highly engineered textiles, but like any fabric, there are some visible variations, which are normal and not product defects
- Slight wrinkles, puckers or other variations may appear and are inherent to this product
- If shadings are ordered at the same time, with identical color and height, vane alignment can be guaranteed within ¼"; this must be requested when ordering
- To retain their dimensionality, Horizontal Sheers vanes are not designed to close tightly (most noticeable at the bottom of the shade); however, vane overlap ensures that privacy is not compromised
- Precautions should be taken to reduce exposure to harsh environmental elements, such as rain, salt air, heavy winds, etc. Exposing the shades to these elements via an open window will accelerate fabric deterioration over time
- Vanes provide approximately 1-1/4" view-through when open
- For maximum view-through, the bottom rail can pivot upward so that the underside is somewhat visible when the vanes are fully open



Horizontal Sheers vanes do not form a perfect seal when closed. This is most noticeable at the bottom of the shade. In both cases, however, vane overlap ensures privacy.

## Slight variations on Horizontal Sheers



Wrinkles may appear as a slight depression in the smoothness of the fabric surface. In the evening, with the vanes closed, reflective light may show slight puckers in the fabric.



Puckered, dimpled or pinched fabrics are caused by the shrinkage or stretching of one layer among multiple layers of fabric.



Worm tracks may appear as a slight crease that travels horizontally near the front of the vane, typically seen on the face sheer and in light-dimming fabrics.

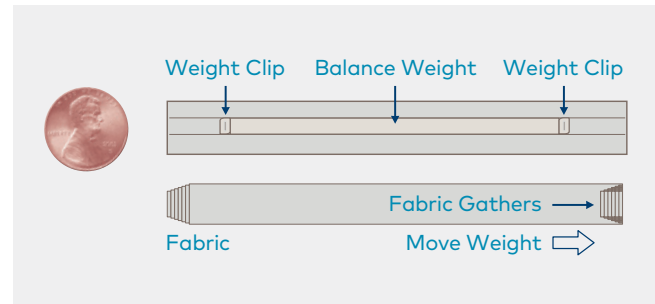


Slight waviness in the vane material may be visible when the vanes are open and light passes through the shading.

## Product care

### Fabric leveling

- To eliminate fabric skew, check that the shade is mounted level; move or shim the mounting brackets as needed
- Use the leveling feature of the QMT3 Series Architectural Hardware brackets to level the shade first, if required
- Use a penny to release the clips securing the bottom rail balance weight; move the weight 1" toward the end where the fabric is gathering, and then lock the balance weight at both ends
- Check the adjustment and readjust as necessary



### Routine cleaning

- Dust front Tulle and sheer back shading with a feather duster or use a hand-held vacuum with low suction
- Blow out dirt and debris from between the vanes using compressed air or a hand-held hair dryer on the COOL setting (never WARM or HOT)



### Cleaning fabric-covered headrail

- Lightly dust or vacuum using low suction
- For further cleaning, hand wash using a sponge or delicate cloth and mild soap solution
- Handle with care, as you would any fine fabrics

### Other cleaning options

- Professionally clean ultrasonically, or with the injection/extraction method (dry method only)
- Important: Do not clean the fabric using electrostatic wipes such as Swiffer® or Pledge Grab-It®
- Light-dimming fabric can not be ultrasonically cleaned



## Crestron Horizontal Sheers

### 12 key points

- Uses QMT® 3 shade motor Series Architectural Hardware
- Can be mounted in a pocket without fascia or mounted inside or outside jamb using special fascia with color-coordinated fabric insert
- Available for Cresnet® networks or InfiNET EX® networks
- 36 fabrics: 25 are light filtering, 11 are room darkening. The room darkening fabrics are completely opaque. However, because the vanes never lay completely flat, there will be some light leak
- Light gaps are the same as traditional roller shades – 3/4"
- Telescoping adjustments are done at the bracket (like a normal roller shade), but the hembar has a sliding weight bar to adjust for telescoping as well
- Fabric Vanes are 2.5"
- Hembar and fascia colors are available in White, Almond, Gray, Brown and Black and automatically selected to coordinate with the fabric color as best as possible
- Right Size Guarantee does not apply to Horizontal Sheers
- Width is measured Bracket-to-Bracket or width of the fabric
- Height is measured from the **top** of where the bracket will be mounted to the window sill (or wherever the closed limit will be). Unlike a regular roller shade where you can add a few inches to the height to cover yourself, the height measurement for Horizontal Sheers is **critical**
- Horizontal Sheers are available with a manual clutch and can be upgraded to motorized at a later date

